

# CodaOctopus COLMEK

## Stinger™ VID Rugged Video System

Video Capture and Video Compression

**\*\*DEVELOPMENTAL  
PRODUCT\*\***

# stinger™ VID

Built on the rugged Stinger™ mission computer series using the latest Intel® ATOM™ processor and solid state storage.



### Product Features

- Intel® Atom® Z530 1.6 GHz Processor
- 2GB SDRAM
- 4GB Flash Soldered on Board
- 1X 10/100/1000 Mbit Lan Port
- 8X USB 2.0
- VGA (24-Bit LVDS Optional)
- Keyboard/Mouse
- SATA 160GB Solid State Disk (Optional 32, 64GB)
- 2X Serial Ports RS232
- Audio (Stereo Line in/out)
- Power - Less than 10W
- Power 9-36VDC Input (28VDC Nominal MIL-STD-704E Compliant)
- Rugged Conduction Cooled, Sealed, and Lightweight Enclosure (IP65, and NEMA 4 Compliant)
- 4 Board Chassis
- Miniature Circular D38999 Style Connectors
- Environmental (MIL-STD-810F Compliant)
- EMI/EMC (MIL-STD-461E Compliant)
- Temperature -40°C to +85°C
- Support for Windows® XP, Windows® XPe, VxWorks® and Linux®

**We welcome your custom requirements and have the following available:**

- PCI/104 Board Expansion (Size, Power, and Weight may change)
- PCI/104-Express Systems Available
- Multiple Mounting Configurations
- Front and Rear Panel I/O
- I/O Connector Re-Configurable
- Chassis Available from 3 to 6 Board Configuration

### Video Features

- Dual video port input, NTSC/PAL (Quad port available)
- Output streams H.264, MPEG-4 and MJPEG simultaneously
- 4CIF to QCIF video resolution at 30 fps

### Optional Capabilities

- Wireless LAN using 802.11b/g at 2.4 GHz
- Long range wireless WAN using 802.11b/g at 2.4 GHz
- GPS receiver

CodaOctopus COLMEK

1775 S 4130 W, Suite A • Salt Lake City, Utah 84104 USA • Phone: 801-973-9136 • Fax: 801-973-9285  
E-mail: [info@colmek.com](mailto:info@colmek.com) • Website: [www.colmek.com](http://www.colmek.com)

Data subject to change without notice

# CodaOctopus COLMEK

## Stinger™ VID Rugged Video System

### Video Capture and Video Compression

Coda Octopus Colmek is proud to launch the Stinger™ VID rugged video system with an Intel® Atom™ 1.6 GHz processor. The Stinger™ VID takes video capture and video compression to new levels with a fully ruggedized and customizable platform.

Housed in a sealed and hardened aluminum chassis, the Stinger™ VID is a conduction cooled, two channel video processing center. Built on the successful rugged Stinger™ 1000 platform, this video capture/compression unit takes up to two channels of NTSC/PAL input and compresses using H.265, MPEG-4, or MJPEG simultaneously.

*\*Optional 4 channel configurations available*

Customization is the basis of the Stinger™ product line and the Stinger™ VID is no exception. As an added feature, the Stinger™ VID boasts an optional wireless LAN, or long range wireless WAN both using 802.11b/g at 2.4 GHz. I/O connectors can be tailored to your specific requirements.

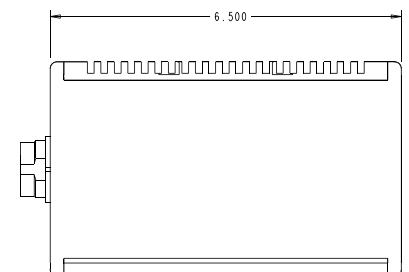
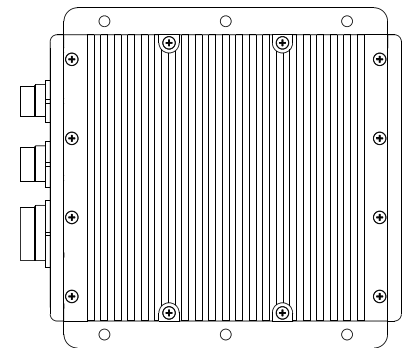
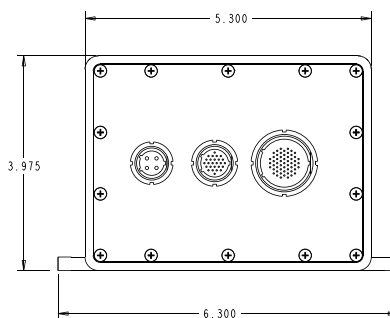
Standard Stinger™ VID rugged features include a 4-slot sealed aluminum chassis, PC/104 extended temperature range industrial electronics, solid state storage, and D38999 military style connectors.

Designed and built in the U.S. and employing proprietary Copperhead™ technology, this system meets the rigors of MIL-STD-810F, MIL-STD-461, and MIL-STD-704.

The Stinger™ VID is the choice for any customer requiring a highly reliable rugged mobile video computing system built for the harshest of environments.

Coda Octopus Colmek's revolutionary heat sinking technology designed specifically for conduction cooled embedded systems.

The new heat sink employs Colmek's integrated CopperHead™ technology which provides an internally conducted thermal solution.



CodaOctopus COLMEK

Data subject to change without notice

1775 S 4130 W, Suite A • Salt Lake City, Utah 84104 USA • Phone: 801-973-9136 • Fax: 801-973-9285

E-mail: [info@colmek.com](mailto:info@colmek.com) • Website: [www.colmek.com](http://www.colmek.com)

© 2010 CodaOctopus Colmek. All Rights Reserved. Colmek reserves the right to make changes in its products and specifications at anytime without notice. All trademarks indicated as such herein are trademarks of CodaOctopus Colmek. All other products and service names are the property of their respective owners. • Reg. U.S. and Tm. Off.