

[THERMITE][®]

OCTAL



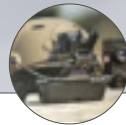
Airborne



Maritime



Land-based



Man-worn

Performance Computing for Every Mission

Designed for airborne, land-based, maritime, and man-worn deployment, Colmek's Thermite[®] Octal is a rugged, Commercial Off the Shelf (COTS), configurable, server-class mission computer. Featuring the Intel[®] 6th generation Xeon E3-1515M v5, 8M Cache, 2.8GHz, with Intel[®] Iris[™] Pro Graphics P580, this Thermite[®] is optimized for size, weight and power (SWaP) constrained mobile, airborne, ground-based, manned/unmanned vehicle and sensor applications. It combines multi-core processing with world-class integrated graphics to support commercial and defense-related tactical mission processing requirements.

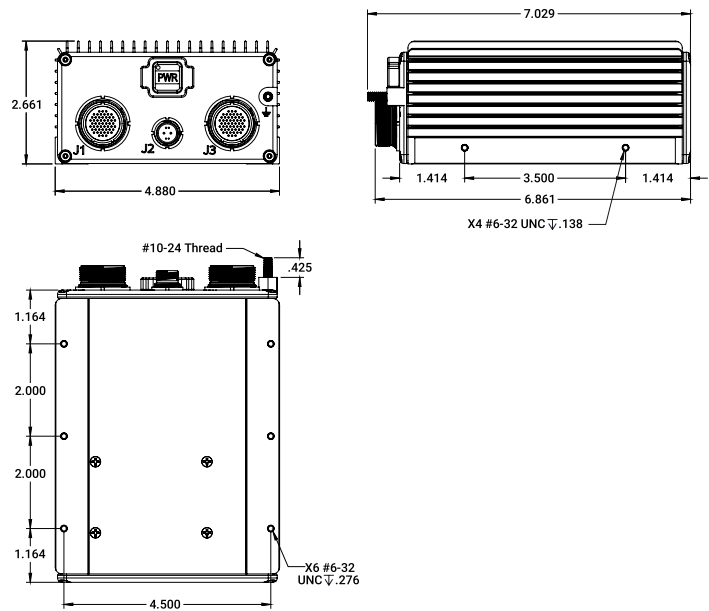
The Thermite[®] Octal features optional battery operation, ideal for the rugged mobility required for man-worn or embedded training applications. It is the smallest footprint, lowest power, server class ruggedized computer on the market.

- Data- and graphic-intense mission ready with high-performance processing, memory and storage.
- Off-the-shelf value with broad configurability and expandability.
- Size, weight, and power optimized for man-worn and mobile platforms.
- Compliant with MIL-STD-810G specification for extreme use and environments.

[THERMITE] OCTAL

CPU	Intel® 6th generation Xeon® E3-1515M v5 with 8M Cache
Graphics	Intel® Iris™ Pro Graphics P580
Memory	Up to 64GB DDR4 ECC SO-DIMM Inquire for additional options
Storage	256GB mSATA SSD 256GB M.2 SLC SSD 1TB M.2 MLC Inquire for additional options
Video Output	Two HDMI 1.4 One VGA Optional: DisplayPort 1.2 (DP++)
Standard Interfaces (High Configurability)	Two USB 2.0 ports Two Gigabit Ethernet (GigE) ports Two configurable serial I/O ports: RS-422, RS-485 or RS-232 Audio I/O Inquire for additional options
Operating System	Standard: Windows 10 Optional: Red Hat Enterprise Linux/CentOS/Windows IoT
Expandability	Mini PCIe slots MIL-STD-1553 CAN Bus Video Capture Wi-Fi/BT GPS Inquire for additional options
Power	12V to 36V input, MIL-STD 1275E compliant Optional power button Max. – 90W Nom. – 25W
Ruggedization	IP67 MIL-STD-810G Environmental Testing compliant MIL-STD-461F EMI/EMC Testing compliant Inquire for details
Thermal	Standard Conduction Cooled; Optional air-cooling for man-worn operations Storage Temp: -55° to 85° C Operating Temp: -40° to 71° C
Dimensions	6.9 in. x 4.9 in. x 2.7 in. (L x W x H)
Weight	3.8 lbs. (1.72 Kg)
Exportability	Dual use, 4A994, under U.S. export guidelines Contact Colmek for details

Accessories	
P/N	Description
14959-1	Fan Shroud Ideal for development environments, not ruggedized for deployment uses
14617-2	Cable set Lab use cables that convert rugged Mighty Mouse connectors to standard commercial connections to aid in development
14793-1	Mounting Plate Attaches to bottom of Octal to provide tabs with through holes
14792-1	Mounting Tray Assembly Tray with required hardware allowing for quick install and removal of Octal without tools



Specifications and dimensions may be subject to change. Please contact us for the most current information. Intel and Xeon are trademarks of Intel Corporation or its subsidiaries in the U.S. and/or other countries.



Colmek is a Qualified Small Business supplier of engineering services and systems with over 20 years of experience developing, supporting and maintaining mission critical defense systems for land, sea and air applications. Our customers achieve faster test and production times, lower failure rates, and more actionable intelligence from their data. Contact us to learn more:

1.801.973.9136 | newbusiness@colmek.com