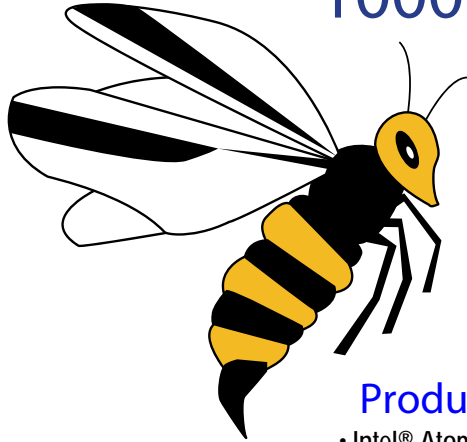


# CodaOctopus COLMEK

## Stinger™ 1000 Rugged Mobile Computer

Customizable Stinger™ Mobile Computer

# stinger™ 1000



Built on the rugged Stinger™ mission computer series using the latest Intel ATOM processor and solid state storage.



### Product Features

- Intel® Atom® Z530 1.6 GHz Processor
- Up to 2GB SDRAM
- 4GB Flash Soldered on Board
- 1X 10/100/1000 Mbit Lan Port
- 8X USB 2.0
- VGA Port (24-Bit LVDS Optional)
- Keyboard/Mouse
- SATA 128GB Solid State Disk (Optional 32, 64GB)
- 2X Serial Ports RS232
- Audio (Stereo Line in/out)
- Ultra low power - Less than 10W
- Power 9-36VDC Input (28VDC Nominal MIL-STD-704E Compliant)
- Rugged Conduction Cooled, Sealed, and Lightweight Enclosure (IP65, and NEMA 4 Compliant)
- 4 Board Chassis
- Miniature Circular D38999 Style Connectors
- Environmental (MIL-STD-810F Compliant)
- EMI/EMC (MIL-STD-461E Compliant)
- Temperature -40°C to +85°C
- Support for Windows® XP, Windows® XPe, VxWorks® and Linux®

We welcome your custom requirements and have the following available:

- PCI/104 Board Expansion (Size, Power, and Weight may change)
- PCI/104-Express Systems Available
- Multiple Mounting Configurations
- Front and Rear Panel I/O
- I/O Connector Re-Configurable
- Chassis Available from 3 to 6 Board Configuration

CodaOctopus COLMEK

Data subject to change without notice

1775 S 4130 W, Suite A • Salt Lake City, Utah 84104 USA • Phone: 801-973-9136 • Fax: 801-973-9285

E-mail: [info@colmek.com](mailto:info@colmek.com) • Website: [www.colmek.com](http://www.colmek.com)

© 2010 Coda Octopus Colmek. All Rights Reserved. Colmek reserves the right to make changes in its products and specifications at anytime without notice. All trademarks indicated as such herein are trademarks of Coda Octopus Colmek. All other products and service names are the property of their respective owners. • Reg. U.S. and Tm. Off.

# CodaOctopus COLMEK

## Stinger™ 1000 Rugged Mobile Computer

Customizable Stinger™ Mobile Computer

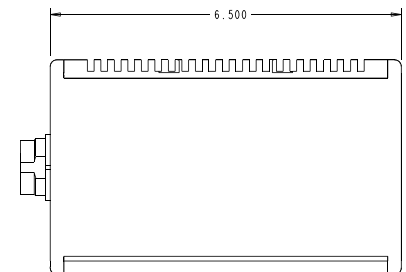
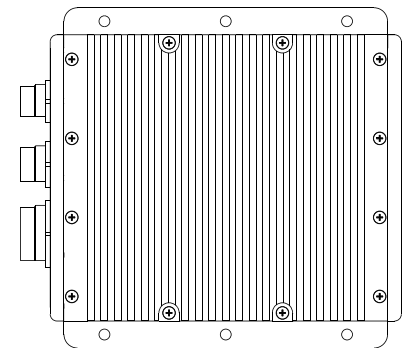
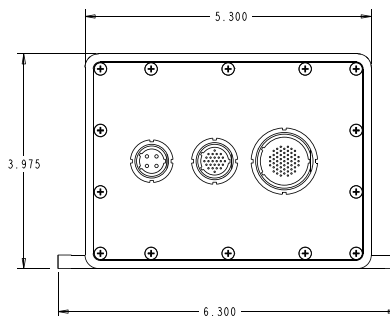
Coda Octopus Colmek is proud to release the Stinger™ 1000 rugged mobile computer which increases expandability and options, while still providing exceptional performance.

We built our Stinger™ lineup to provide a rugged solution for mobile computers that run in environments which require the best equipment for the job. Thus we can tailor the 1000 to whatever application you may need it in.

The Stinger™ 1000 runs off of a low power Intel® Atom™ processor (1.1 or 1.6 GHz). Our mobile computer is engineered to meet military requirements such as: MIL-STD-810F, MIL-STD-461E environmental and MIL-STD-704E power supply voltage standards.

Coda Octopus Colmek's revolutionary heat sinking technology designed specifically for conduction cooled embedded systems.

The new heat sink employs Colmek's integrated CopperHead technology which provides an internally conducted thermal solution.



CodaOctopus COLMEK

Data subject to change without notice

1775 S 4130 W, Suite A • Salt Lake City, Utah 84104 USA • Phone: 801-973-9136 • Fax: 801-973-9285  
E-mail: [info@colmek.com](mailto:info@colmek.com) • Website: [www.colmek.com](http://www.colmek.com)

© 2010 Coda Octopus Colmek. All Rights Reserved. Colmek reserves the right to make changes in its products and specifications at anytime without notice. All trademarks indicated as such herein are trademarks of Coda Octopus Colmek. All other products and service names are the property of their respective owners. • Reg. U.S. and Tm. Off.